

PT-Metering Cabinets

P.T. Cabinets

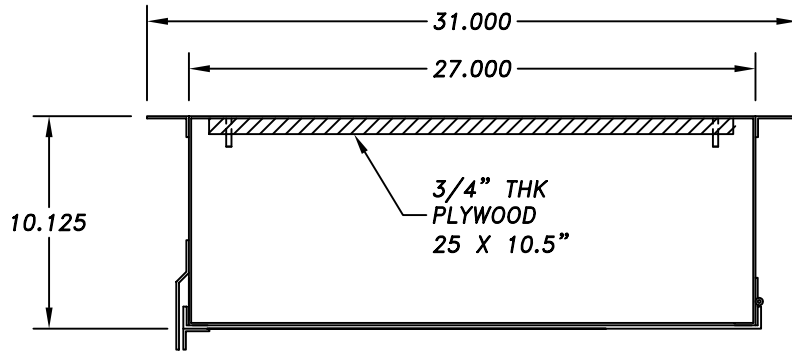
Nema 1	EC-PT	\$	400.00
Nema 3R	EC-PTR	\$	450.00

Metering Cabinet

Small 3R	EC-SMC	\$	1,200.00
Large 3R	EC-LMC	\$	2,200.00

Consult Sales Office For:

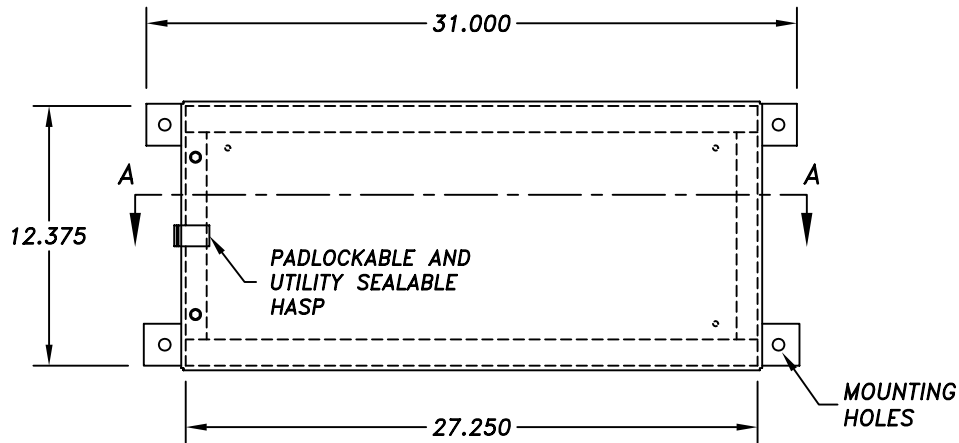
- Custom cabinets
- Stainless Steel
- Custom Pull Boxes
- Hardware
- High Voltage Metering
- Utility Switchboards



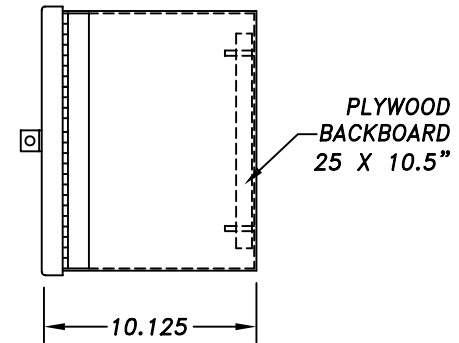
SECTION A-A

GENERAL NOTES

1. NEMA 1 CONSTRUCTION WITH HINGED COVER.
2. MATERIAL: 14 GA GALVANEAL PAINTED GRAY.
3. DESIGNED FOR FRONT ACCESS ONLY.

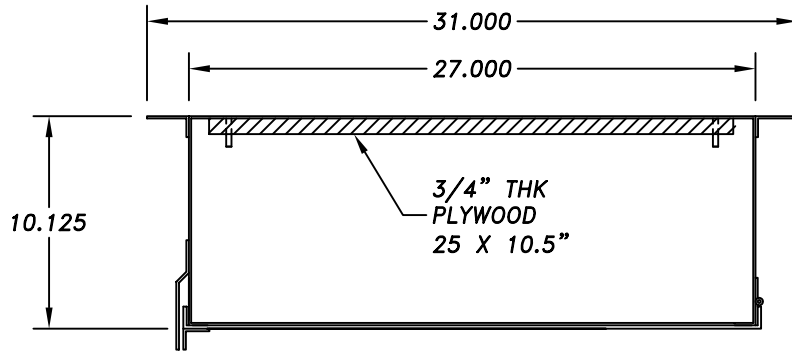


FRONT VIEW



RIGHT SIDE VIEW

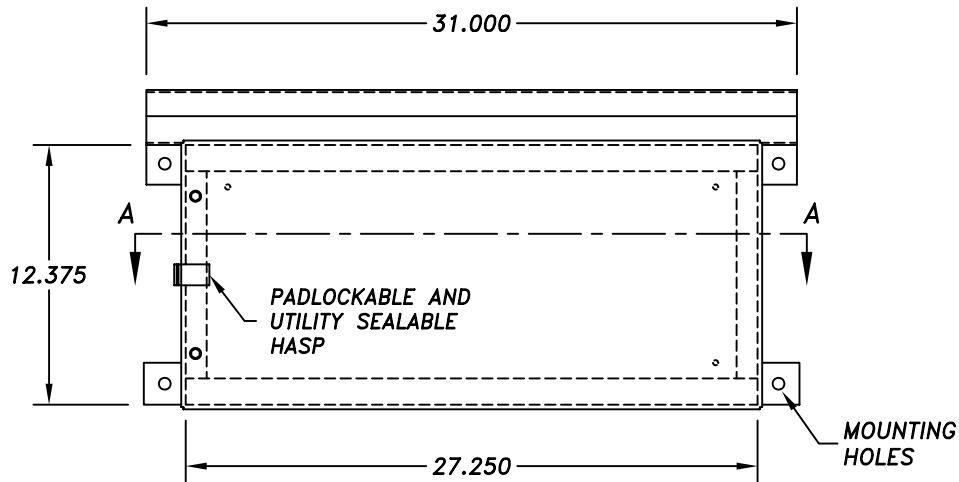
PT CABINET, NEMA 1							
CAT # EC-PT							
	DWG. REV.	BY	DATE	DESCRIPTION			
		A		SCALE	DWG. REV.	SHEET	
DRAWN	PJB	03-13-03	EAST COAST PANELBOARD, INC.		1" : 1"	1 OF 1	
CHECKED			A DIVISION OF EAST COAST POWER SYSTEMS				
APPROVED			3 CASS STREET - KEYPORT, NEW JERSEY 07735		DWG. NO.	A-01335	



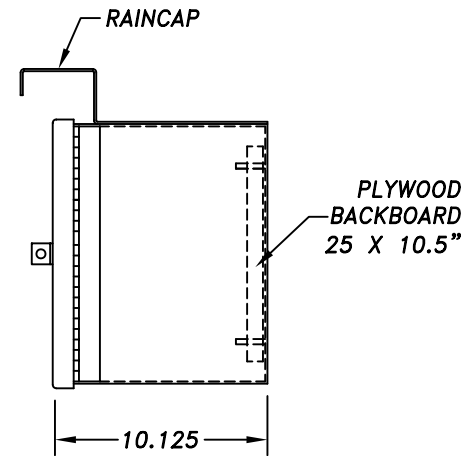
SECTION A-A

GENERAL NOTES

1. NEMA 3R CONSTRUCTION WITH HINGED COVER.
2. MATERIAL: 14 GA GALVANEAL PAINTED GRAY.
3. DESIGNED FOR FRONT ACCESS ONLY.

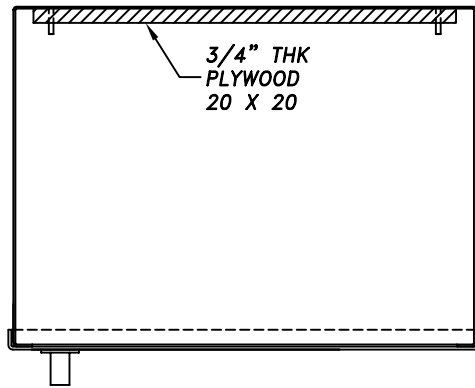


FRONT VIEW

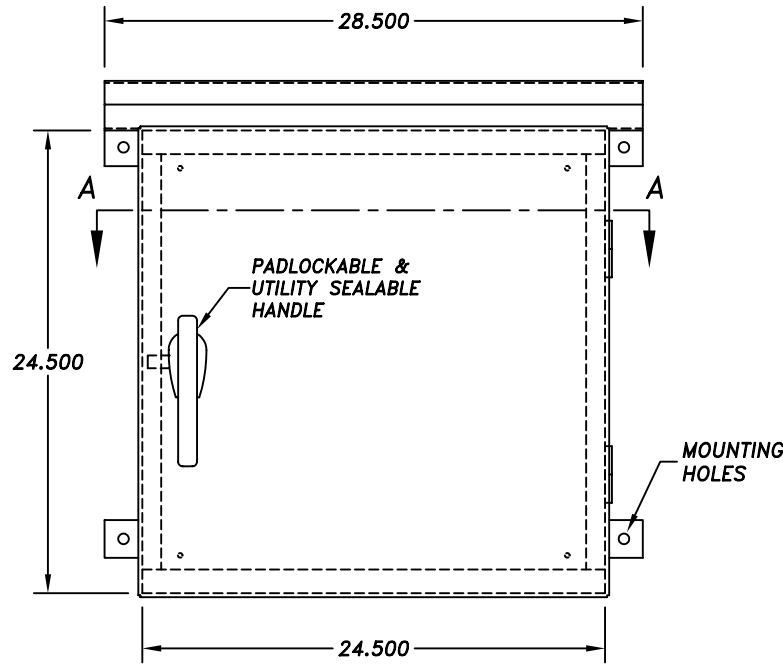


RIGHT SIDE VIEW

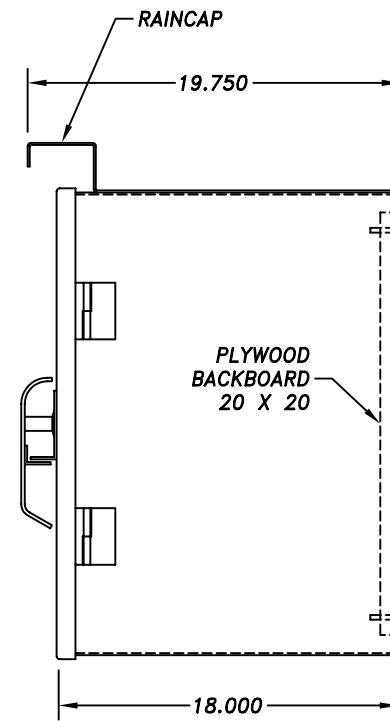
PT CABINET, NEMA 3R							
CAT # EC-PTR							
	DWG. REV.	BY	DATE	DESCRIPTION			
				DWG. SIZE	A	SCALE	1" : 1"
DRAWN	PJB	03-13-03	EAST COAST PANELBOARD, INC.		DWG. REV.		SHEET
CHECKED			A DIVISION OF EAST COAST POWER SYSTEMS				1 OF 1
APPROVED			3 CASS STREET - KEYPORT, NEW JERSEY 07735		DWG. NO.	A-01336	



SECTION A-A



FRONT VIEW

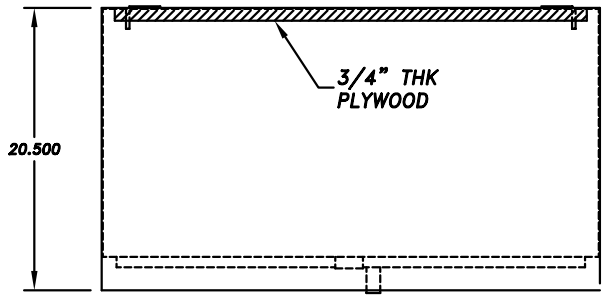


RIGHT SIDE VIEW

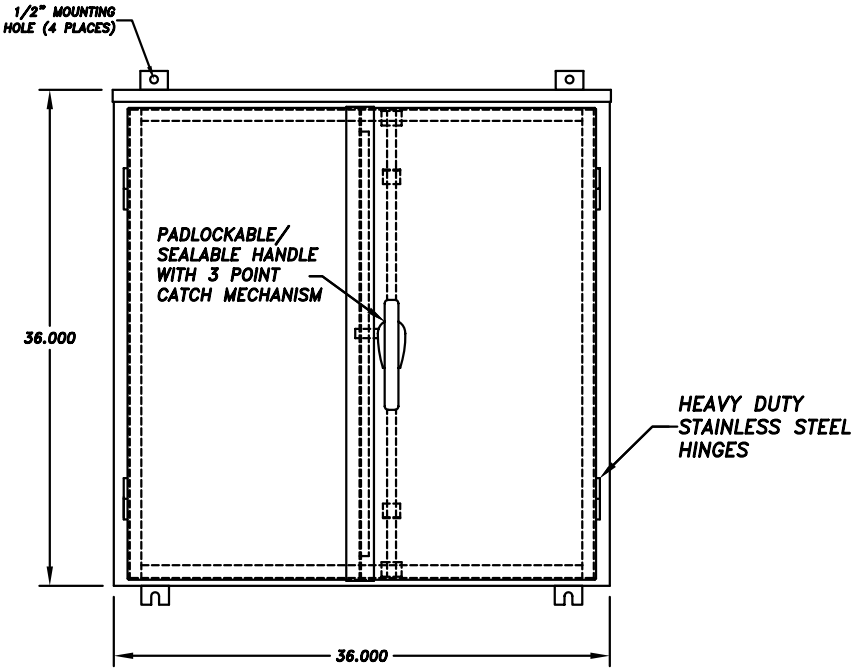
GENERAL NOTES

1. NEMA 3R CONSTRUCTION WITH HINGED COVER.
2. MATERIAL: 14 GA GALVANEAL PAINTED GRAY.
3. DESIGNED FOR FRONT ACCESS ONLY.

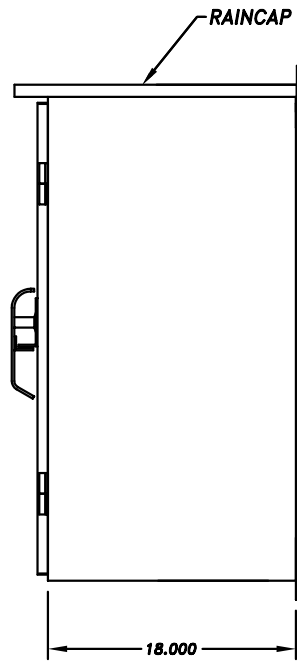
SMALL METERING CABINET, NEMA 3R								
CAT # EC-SMC								
	DWG. REV.	BY	DATE	DESCRIPTION				
				DWG. SIZE	A	SCALE	1" : 1"	
DRAWN	PJB	03-13-03	EAST COAST PANELBOARD, INC.				DWG. REV.	SHEET
CHECKED			A DIVISION OF EAST COAST POWER SYSTEMS					1 OF 1
APPROVED			3 CASS STREET - KEYPORT, NEW JERSEY 07735				DWG. NO.	A-01334



TOP VIEW



FRONT VIEW



SIDE VIEW

GENERAL NOTES

1. NEMA 3R CONSTRUCTION WITH HINGED COVERS.
2. MATERIAL: #12 GA GALVANEAL.
3. FINISH: ANSI 61 LIGHT GRAY.
4. DESIGNED FOR FRONT ACCESS ONLY.

CAT # EC-LMC

LARGE METERING CABINET, NEMA 3R				B	JM	03-18-04	CHANGED DESIGN
CAT # EC-LMC				A	PJB	03-13-03	ADDED CAT #
				DWG. REV.	BY	DATE	DESCRIPTION
	BY	DATE		DWG. SIZE	B	SCALE	DWG. REV. B
DRAWN	PJB	03-08-03				1:1	SHEET 1 OF 1
CHECKED				EAST COAST PANELBOARD, INC. A DIVISION OF EAST COAST POWER SYSTEMS 5 CASS STREET - KEYPORT, NEW JERSEY 07735			
APPROVED				DWG. NO.	A-01118		